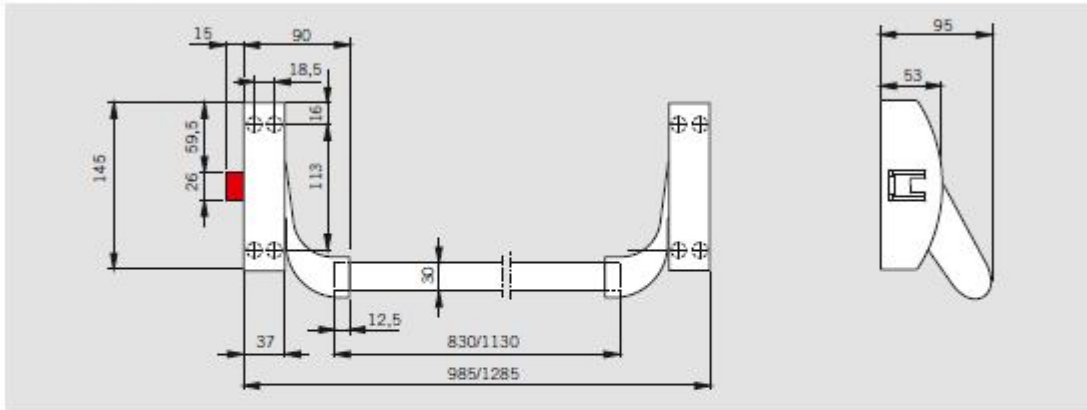


PHA 2000

Single-point locking



2/3-point locking

